

ROLLWAY®

# Roller Bearings for Oil Field Equipment



A Regal Brand

**REGAL**

# ROLLWAY®

Large diameter, engineered roller bearing products are our specialty. We engineer and manufacture some of the most rugged bearings in the world, so naturally, you would expect to find Rollway® brand roller bearings in the most demanding applications on the typical rotary rig. As you can see Rollway manufactures a broad range of bearings used on today's rigs and we are continuing to work on bearings to make the rigs of tomorrow more efficient. This brochure highlights Rollway engineered roller bearing products specifically used in oil field equipment applications, more specific product information can be obtained by calling Customer Service at (800) 626-2120 or visiting our web site at [www.RegalPTS.com](http://www.RegalPTS.com).

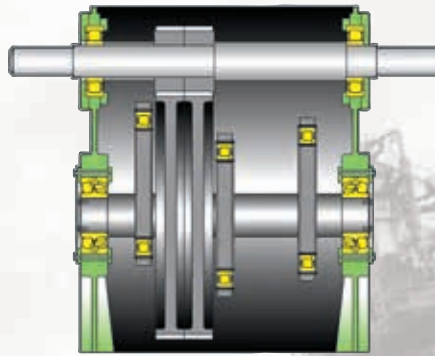


## 1 Hook

Utilizing cylindrical thrust bearings to help support the suspended swivel (Item 2) and allow the hook to rotate.

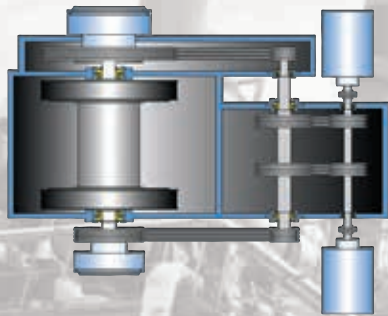
## 2 Swivel

Utilizing tapered thrust bearings to support the drill stem and allow the mud to flow while drilling.



## 3 Mud Pump

Mud pumps utilize Rollway brand cylindrical and spherical radial roller bearings to support the crank shaft, drive shaft and piston rods on the crank eccentrics.

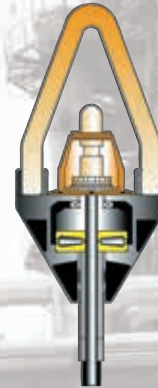


## 4 Drawworks

Chain driven drawworks utilize Rollway brand cylindrical and spherical radial roller bearings to support the drum and associated drive shafts.

## 5 Shale Shakers

Utilize cylindrical and spherical radial roller bearings on the exciter drives.

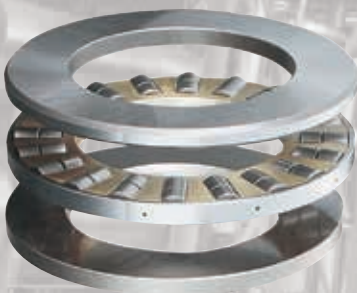


## 6 Tongs

Some power tongs utilize cylindrical and spherical radial roller bearings on the drive and clamping mechanisms.

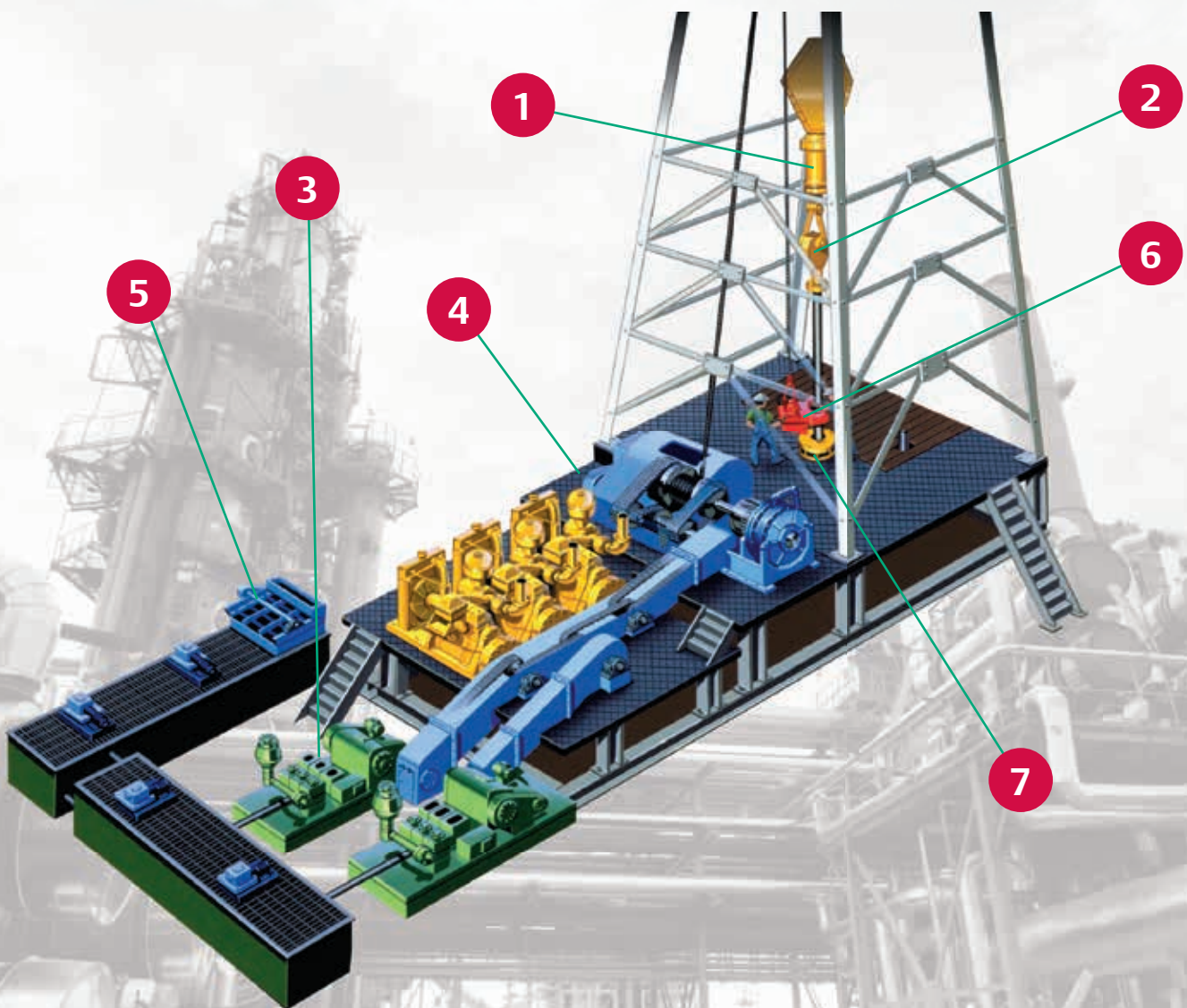
## 7 Rotary Table

Roller bearings for the rotary table drive.





# Where to find Rollway on a typical rig...



Rollway is a world leader in the design and manufacture of roller bearings for oil field equipment. Rollway is a single source of supply for many of these specialized engineered bearings. For more information visit our web site at [www.RegalPTS.com](http://www.RegalPTS.com) or call Customer Service at (800) 626-2120.



## ROLLWAY.

Regal Power Transmission Solutions  
7120 New Buffington Road  
Florence, KY 41042  
Customer Service: 800-626-2120  
Fax: 800-262-3292  
Technical Service: 800-626-2093

[www.RegalPTS.com](http://www.RegalPTS.com)

#### APPLICATION CONSIDERATIONS

The proper selection and application of power transmission products and components, including the related area of product safety, is the responsibility of the customer. Operating and performance requirements and potential associated issues will vary appreciably depending upon the use and application of such products and components. The scope of the technical and application information included in this publication is necessarily limited. Unusual operating environments and conditions, lubrication requirements, loading supports, and other factors can materially affect the application and operating results of the products and components and the customer should carefully review its requirements. Any technical advice or review furnished by Regal Beloit America, Inc. and its affiliates with respect to the use of products and components is given in good faith and without charge, and Regal assumes no obligation or liability for the advice given, or results obtained, all such advice and review being given and accepted at customer's risk.

For a copy of our Standard Terms and Conditions of Sale, Disclaimers of Warranty, Limitation of Liability and Remedy, please contact Customer Service at 1-800-626-2120. These terms and conditions of sale, disclaimers and limitations of liability apply to any person who may buy, acquire or use a Regal Beloit America Inc. product referred to herein, including any person who buys from a licensed distributor of these branded products.

Rollway is a trademark of Regal Beloit Corporation or one of its affiliated companies.  
©2015 Regal Beloit Corporation, All Rights Reserved. MCB15032E • Form# 8682E • Printed in USA

A Regal Brand

**REGAL**

[www.regalbeloit.com](http://www.regalbeloit.com)